

FAG

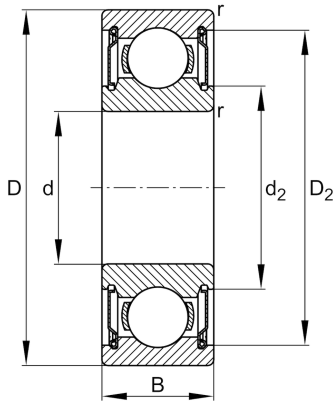
**6018-H-2Z-SN**

Deep groove ball bearing

Schaeffler ID:  
0949146990000

Deep groove ball bearing 60..-H-2Z, single row, H-Series, shields, steel sheet metal cage

## Technical information

**Main Dimensions & Performance Data**

d	90 mm	Bore diameter
D	140 mm	Outside diameter
B	24 mm	Width
$C_r$	52.340 N	Basic dynamic load rating, radial
$C_{0r}$	45.080 N	Basic static load rating, radial
$C_{ur}$	2.600 N	Fatigue load limit, radial
$n_G$	5.600 1/min	Limiting speed
$n_{gr}$	5.600 1/min	Reference speed
	1,16 kg	Weight

**Dimensions**

$r_{min}$	1,5 mm	Minimum chamfer dimension
$D_2$	127 mm	Caliber diameter outer ring
$d_2$	103,1 mm	Caliber diameter inner ring

**Mounting dimensions**

$d_{amin}$	97 mm	Minimum diameter shaft shoulder
$D_{amax}$	133 mm	Maximum diameter of housing shoulder
$r_{amax}$	1,5 mm	Maximum fillet radius

**Calculation factors**

$f_0$	15,8	Calculation factor
-------	------	--------------------

**Temperature range**

$T_{min}$	-20 °C	Operating temperature min.
$T_{max}$	120 °C	Operating temperature max.

